

## Features

- 3/4" Rectangular / Multiturn / Cermet / Industrial / Sealed
- Low PC board profile - only 1/4" high
- Panel mount option available
- Transparent housing available, can be set visually without hook-up and instrumentation ("P" style only)
- RoHS compliant\* version available
- For trimmer applications/processing guidelines, click here

## 3006 - Trimpot Trimming Potentiometer

### Electrical Characteristics

Standard Resistance Range ..... 10 to 5 megohms  
 (see standard resistance table)  
 Resistance Tolerance .....  $\pm 10\%$  std.  
 (tighter tolerance available)  
 Absolute Minimum Resistance ..... 1.0 % or 2 ohms max.  
 (whichever is greater)  
 Contact Resistance Variation ..... 1.0 % or 1 ohm max.  
 (whichever is greater)  
 Adjustability  
 Voltage .....  $\pm 0.01\%$   
 Resistance .....  $\pm 0.05\%$   
 Resolution ..... Infinite  
 Insulation Resistance ..... 500 vdc.  
 1,000 megohms min.

### Dielectric Strength

Sea Level ..... 1,000 vac  
 80,000 Feet ..... 250 vac  
 Adjustment Angle ..... 15 turns nom.

### Environmental Characteristics

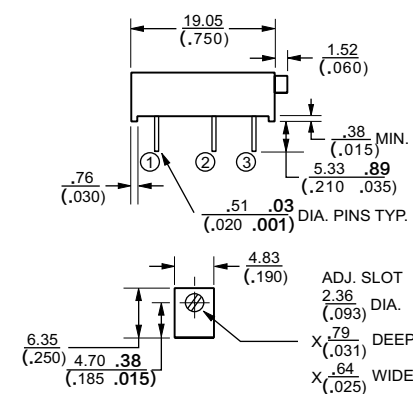
Power Rating (400 volts max.)  
 70 °C ..... 0.75 watt  
 125 °C ..... 0 watt  
 Temperature Range ... -55 °C to +125 °C ..  
 Temperature Coefficient ...  $\pm 100$  ppm/°C ..  
 Seal Test ..... 85 °C .. Fluorinert  
 Humidity ..... MIL-STD-202 Method 103  
 96 hours  
 (3 %  $\Delta$  TR, 20 Megohms IR)  
 Vibration ..... 20 G (2 %  $\Delta$  TR; 2 %  $\Delta$  VR)  
 Shock ..... 50 G (2 %  $\Delta$  TR; 2 %  $\Delta$  VR)  
 Load Life ... 1,000 hours 0.75 watt 70 °C ..  
 (4 %  $\Delta$  TR)  
 Rotational Life ..... 200 cycles  
 (3 %  $\Delta$  TR; 1 % or 1 ohm,  
 whichever is greater, CRV)

### Physical Characteristics

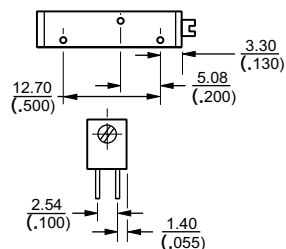
Torque ..... 5.0 oz-in. max.  
 Mechanical Stops ..... Wiper idles  
 Terminals ..... Solderable pins  
 Weight ..... 0.04 oz.  
 Marking ..... Manufacturers  
 trademark, resistance code,  
 terminal numbers, date code,  
 manufacturers model number  
 and style  
 Wiper ..... 50 % (Actual TR)  $\pm 10\%$   
 Flammability ..... U.L. 94V-0  
 Standard Packaging ..... 25 pcs. per tube  
 Adjustment Tool ..... H-90

### Product Dimensions

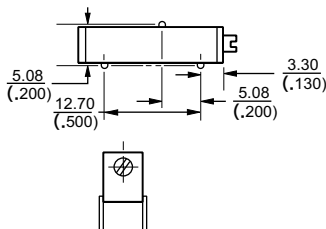
#### Common Dimensions



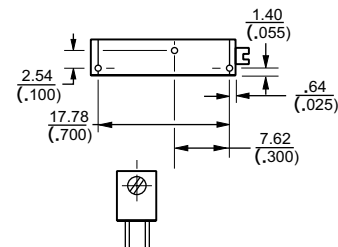
#### 3006P



#### 3006W



#### 3006Y



DIMENSIONS: MM  
 (INCHES)

TOLERANCES:  $\frac{0.25}{(.010)}$  EXCEPT WHERE NOTED

### How To Order

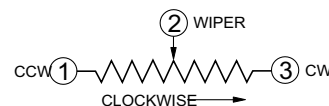
Model 3006 P - 1 - 103 Z LF  
 Style \_\_\_\_\_  
 Standard or Modified \_\_\_\_\_  
 Product Indicator \_\_\_\_\_  
 -1 = Standard Product  
 -7 = Transparent Housing  
 Resistance Code \_\_\_\_\_  
 Optional Suffix Letter \_\_\_\_\_  
 Z = Panel Mount  
 (Factory Installed)  
 Terminations \_\_\_\_\_  
 LF = 100 % Tin-plated (RoHS compliant)  
 Blank = 90 % Tin / 10 % Lead-plated  
 (Standard)

Consult factory for other available options.

### Standard Resistance Table

Resistance (Ohms)	Resistance Code
10	100
20	200
50	500
100	101
200	201
500	501
1,000	102
2,000	202
5,000	502
10,000	103
20,000	203
25,000	253
50,000	503
100,000	104
200,000	204
250,000	254
500,000	504
1,000,000	105
2,000,000	205

Popular distribution values listed in boldface.  
 Special resistances available.



Specifications are subject to change without notice.

Customers should verify actual device performance in their specific applications.