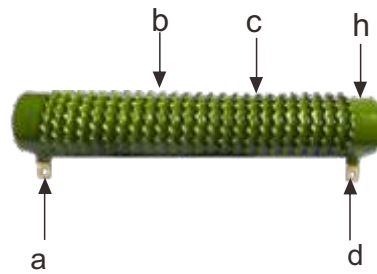


本体颜色: Body Color  
 标准品: Standard (Green 绿色)  
 标示: Marking  
 (根据客户要求提供相应标识)  
 (According to the customer request to provide corresponding identification)

## ● 结构图 Construction



ad	b	c	h
接线端子	陶瓷釉覆盖层	合金丝	高铝瓷管
Terminal block	Ceramic glaze covering	Alloy wire	High alumina ceramic tube

## ● 特性 Feature

I 电阻表面被釉，抗污染性强，耐化学气体侵蚀、绝缘度高，耐湿耐温，可在恶劣环境下使用。

Surface glazed, won't be easily polluted or eroded by chemistry gas, high insulating capacity, can resist humidity and heat well, can be used in the atrocious environment.

II 过负荷能力强，热稳定性好，使用寿命长、耐高压。

Good overload and heat durability capacity, the useful time is longer than the others, withstand high voltage.

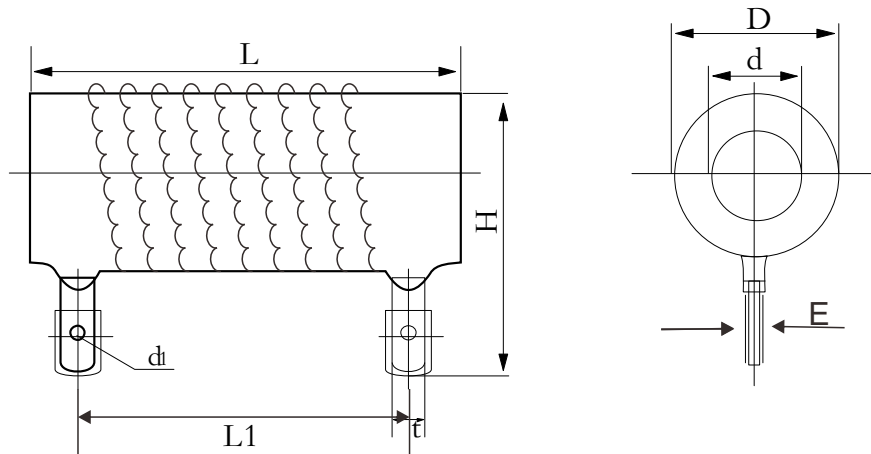
III 精度范围:  $\pm 5\%$ 、 $\pm 10\%$

Resistance tolerance:  $\pm 5\%$ 、 $\pm 10\%$

## ● 参考规格 Reference Standards

JIS C 5201-1

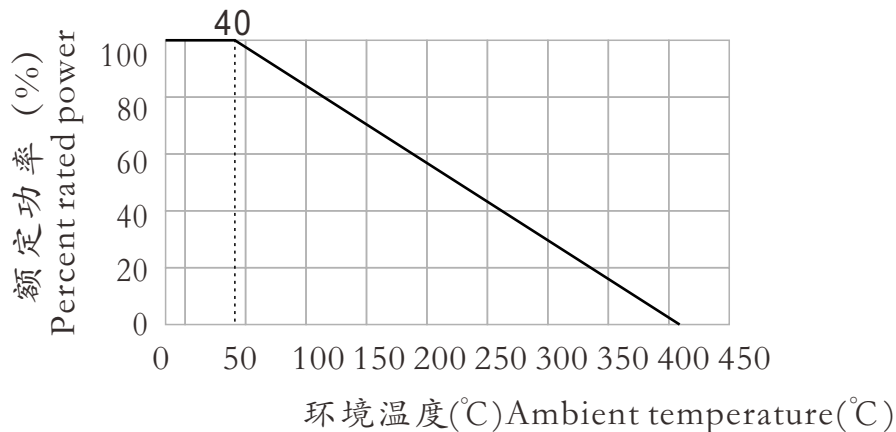
## ● 外形尺寸 Specifications and Dimensions



型号 Type	功率 Power	尺寸Dimensions (mm)							
		$L \pm 3.0$	$L1 \pm 3.0$	$D \pm 1.0$	$d \pm 1.0$	$H \pm 2.0$	$t \pm 0.3$	$d1 \pm 0.5$	$E \pm 0.3$
KGU	50W	101.6	84.0	14.0	8.5	8.0	8.0	4.5	0.8
KGU	100W	165.0	145.0	20.0	13.0	8.0	8.0	4.5	0.8
KGU	150W	165.0	145.0	29.0	19.0	9.5	10.0	5.0	1.0
KGU	300W	216.0	195.0	29.0	19.0	9.5	10.0	5.0	1.0
KGU	400W	198.0	180.0	32.0	19.0	9.5	10.0	5.0	1.0
KGU	500W	216.0	195.0	34.0	19.0	9.5	10.0	5.0	1.0
KGU	450W	267.0	248.0	29.0	19.0	9.5	10.0	5.0	1.0
KGU	600W	216.0	195.0	40.0	28.0	9.5	10.0	5.0	1.0
KGU	1000W	300.0	280.0	62.0	45.0	15.0	10.0	6.0	1.0
KGU	2000W	510.0	490.0	62.0	45.0	15.0	10.0	6.0	1.0
KGU	3000W	400.0	380.0	100.0	80.0	20.0	10.0	8.0	1.0

## ● 降功耗曲线 Derating Curve

例 Example



## ● 功率、阻值范围与耐电压 Technical Specification

型号 Type	额定功率 Power(W)	温度系数 TCR (ppm/°C)	阻值范围 Resistance Range	环境温度 Rating Ambient Temp	使用温度范围 Operating Temp Range	最大工作电压 Maximum working voltage
KGU	50W	±150	0.5R-50R	70°C	-55°C~415°C	$2.5\sqrt{P \cdot R}$
KGU	100W		0.5R-50R			
KGU	150W		0.5R-50R			
KGU	300W		0.5R-200R			
KGU	400W		1R-200R			
KGU	500W		1R-200R			
KGU	450W		1R-200R			
KGU	600W		2R-200R			
KGU	1000W		3R-200R			
KGU	2000W		5R-200R			
KGU	3000W		5R-200R			

特殊阻值,尺寸和规格,如有需要可以特别订做; Special value, size and specifications, can be custom-made if necessary

## ● 性能 Performance

试验项目 Test Items	性能 Performance	试验方法 Test Methods(JIS C 5201-1)
温度系数 Temperature coefficient	±150ppm/°C	在常温及常温+100°C时分别测量电阻并计算每度的阻值变化率。 Test resistance value at normal temperature and normal temperature added 100°C, calculate °C resistance value change rate.
短时间负荷 Short-time overload	$\Delta R \leq \pm(2\%R_0 + 0.05\Omega)$	施加10倍额定功率或最高负荷电压(取较小者)5秒。 Add 10 times rated power or max. overload voltage(get the lower) for 5seconds.
耐焊接热 Resistance to soldering heat	$\Delta R \leq \pm(1\%R_0 + 0.05\Omega)$	在350±10°C的锡炉中浸入2~3秒。 Immerge into the 350±10°C tin stove for 2~3 seconds
可焊性 Solderability	焊锡面积覆盖率95%以上 Tth soldering area is over 98%	在245±3°C的锡炉中浸入2~3秒。 Immerge into the 245±3°C tin stove for 2~3 seconds
温度循环 Temperature cycle	$\Delta R \leq \pm(1\%R_0 + 0.05\Omega)$	在-55°C时放置30分钟,然后在+25°C时放置10~15分钟,然后再在+155°C时放置30分钟,然后在25°C时放置10~15分钟,共循环5次。At-55°C for 30min, then at +25°C for 10~15min, then at +155°C for 30min, then at +25°C for 10~5, min, total 5cycles.
耐湿负荷寿命 Load life in humidity	$\Delta R \leq \pm(5\%R_0 + 0.05\Omega)$	在温度为40±2°C,相对湿度为90~95%的恒温恒湿箱中,施加额定电压或最大工作电压(取较小者)共1000小时(通1.5小时,断0.5小时)。Overload rated voltage or Max.working voltage(get the lower)for 1000hours(1.5hours on and half-hour off) at the 40±2°C and 90~95% relative humidity.
耐温负荷寿命 Load life in heat	$\Delta R \leq \pm(5\%R_0 + 0.05\Omega)$	在70±2°C恒温恒湿箱中施加额定电压或最大工作电压(取较小者)共1000小时(通1.5小时,断0.5小时)。Overload rated voltage or Max.working voltage(get the lower) for 1000hours(1.5hours on and half-hour off) at the 70±2°C.

## ● 料号编号 Ordering Information

例 Example:

KGU	200W	J	100R0	150ppm/°C
产品名称 Product Name	额定功率 Power	误差值 Tol	电阻值 Ohm (Ω)	温度系数 TCR
KGU 大功率波纹被釉线绕电阻 KGU High Power Wave Ripple Coated Wire-Wound Resistors	50W,100W,150W 300W,400W,500W 450W,600W,1000W 2000W,3000W	±2% ±5%	100R0=100Ω	±150ppm/°C