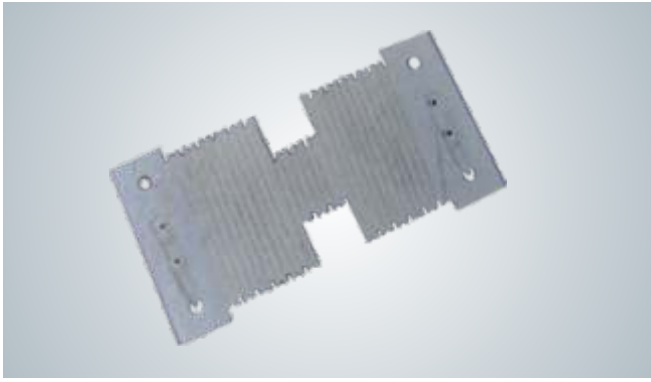


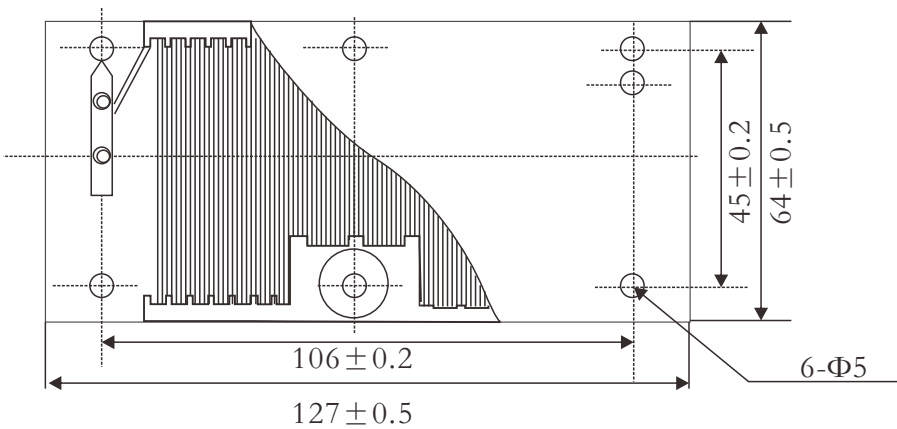
# RXG901功率型线绕固定电阻器 Power Precision Wire-Wound Resistor



## ● 产品标准Standard

- ▲GB/T5729-2003电子设备用固定电阻器第一部分：总规范  
GB/T5729-2003Fixed resistor used in electroic equipment part1:  
Generic specification
- ▲Q/RU412-2009RXG901功率型固定线绕电阻详细规格:  
Q/RU412-2009TypeRXG901 Power Precision Wire-wound  
resister detail specification

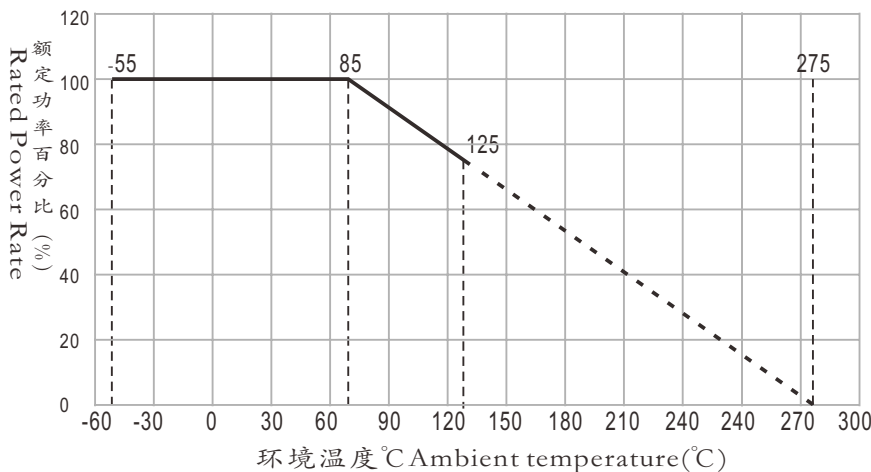
## ● 尺寸结构图 Dimensions(mm)



## ● 功率、阻值范围与耐电压Power And Resistance etc

型号 Type	额定功率 Rated Power (W)	标称阻值范围 Resistance Range(Ω)	误差值 Tolerance	温度系数 T.C.R	最高使用电压 Max Working Voltage	最高负荷电压 Max Overload Voltage	耐电压Dielectric Withstanding Voltage
RXG901	400	30	J ± 5%	± 300PPM/°C	$\sqrt{P \cdot R}$	$\sqrt{10 \cdot P \cdot R}$	1000V/Dc
		40					
		50					
	600	20					

## ● 降功耗曲线 Derating Curve



## ● 性能 Performance

试验项目 Test Items	试验方法 Test Methods	合格判断 Requirements
介质耐电压 Dielectric withstand voltage	1000V 直流DC 持续时间Length of time:1min	无击穿或飞弧现象 No berakdown or flashover
绝缘电阻 Insulation resistance	500V 持续时间Length of time:1min	$\geq 1G\Omega$
短时间过载 Short time over-load	1.5倍额定功耗电压Load 1.5times of rated power 持续时间Length of time:5s	$\Delta R \leq \pm (5\%R + 0.05\Omega)$
温度循环 Temperature cycle	-55°C~+150°C 三次 3 cyclics	$\Delta R \leq \pm (5\%R + 0.05\Omega)$
寿命 Life	施加额定功耗,1min通电, 10min断电, 500h load rated power,load 1min,stop 10min	$\Delta R \leq \pm (1\%R + 0.05\Omega)$

## ● 料号编号 ordering Information

例 Example

型号Type	额定功率 Rated Power	误差值 Tolerance	电阻值 (Ω) Resistance
RXG901	600	J	10R0
RXG901功率型 固定线绕电阻	400:400W 600:600W	J ± 5%	R100=0.1 1R00=1 10R0=10