

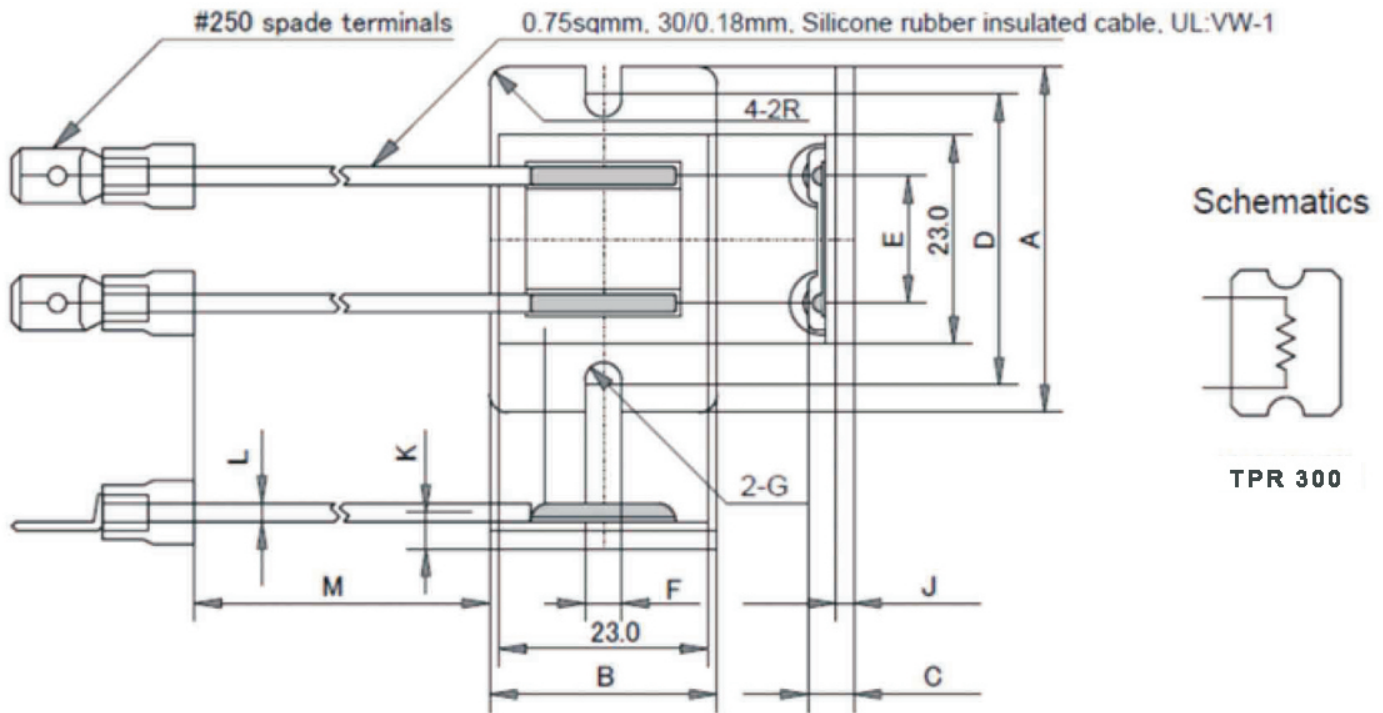
● 特性 Features

- I 小体积大功率
Small size big power
- II 厚膜技术易安装
Thickfilm tchnology easy mounted
- III 超低电感高频应用
Very low inductance High Frequency applied
- IV 功率密度大300W
High power density 300W

● 应用 Applications

TPR系列特别适合当做制动，泄放和IGBT栅极电阻;应用于脉冲发生器，高频放大电路等
TPR series especially suit as snubber resistors, gate resistors and dumping resistors ,suitable for pulse generators, high frequency amplifiers

● 尺寸 Dimensions

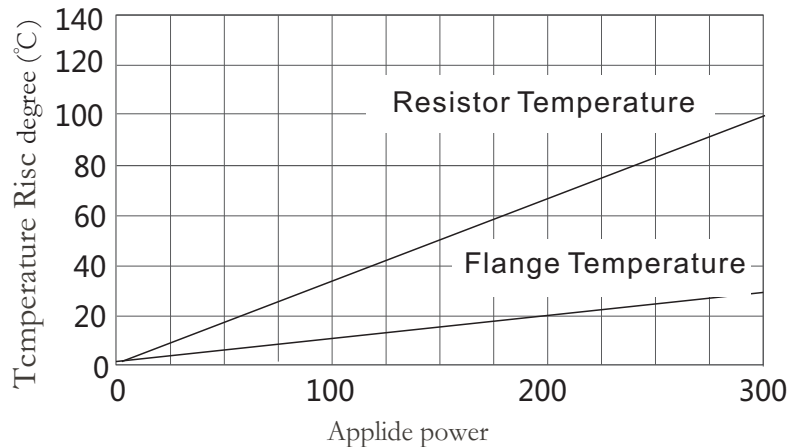
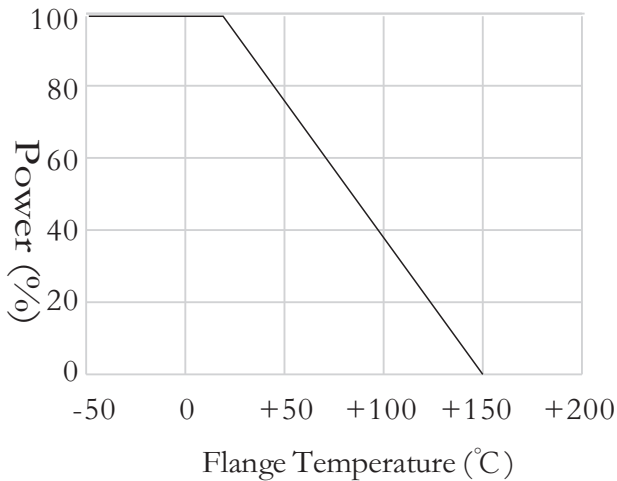


型号 Type	功率 Power (W)	尺寸Dimensions(mm)										
		A±0.5	B±0.5	C±0.5	D±0.2	E±0.5	F±0.0	G±0.5	J±0.2	K±0.5	L±0.5	M±10
TPR	300W	38.0	25.0	4.0	32.0	14.0	4.20	2~2.1R	1.5	2.5	2.1dia	435.0

● 功率、阻值与耐电压 Applications And Ratings

型号 Type	功率范围 Power(W)	阻值范围 Resistance Range(Ω)	最大工作电压 Max. operating voltage(V)	精度范围 Tolerance range
TPR	300W	0.1Ω ~51KΩ	500V DC	±1% ±5% ±10%

● 曲线图 Derating Curve



● 性能 Performance

额定功率 Rated Power	300W (temp. of centre part of copper substrate)
最大工作电压 working voltage	500V DC
阻值范围 resistance range	0.1ohm-51K ohm
温度系数 TCR	100ppm/°C
阻值精度 Tolerance	10% 5% 1%
工作温度范围 Operating Temp. range	-55°C -155°C
绝缘电压 Insulating voltage	>2000V
寿命 load life	$\Delta R < \pm 2\%$ 1000hours rated power
耐焊接热 Soldering Heat	$\Delta R < +0.2\%$ 260°C 10S
可焊性 Solderability	$\Delta R < +0.2\%$ 235°C 5S
绝缘电阻 Insulating Resistance	>10Gohm

● 料号编号 ordering Information

例 example

TPR	300	F	51K00
产品名称 Product Name	功率 Power	精度 Tol	阻值 Ohm
TPR高功率 平面电阻器	300=300W	F=±1% J=±5% K=±10%	0R100=0.1Ω 0R220=0.22Ω 10R00=10Ω 51K00=51KΩ