

## ● 特性 Features

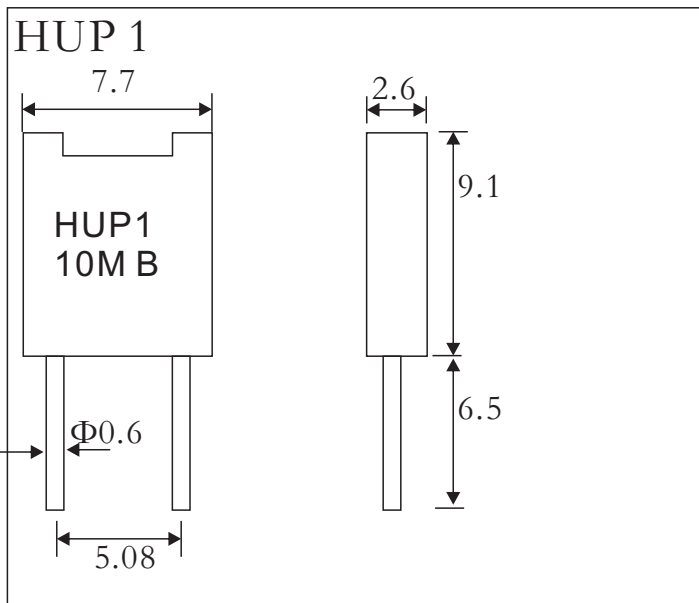
- I 阻值精度可达0.02%  
Close tolerance up to 0.02%
- II 最高耐压5KV  
Voltage rating to 5KV.
- III 阻值范围500KΩ-100MΩ  
Resistance range 500KΩ-100MΩ
- IV 温度系数可达+2ppm/°C  
TCR as low as +2ppm/°C

## ● 应用 Applications

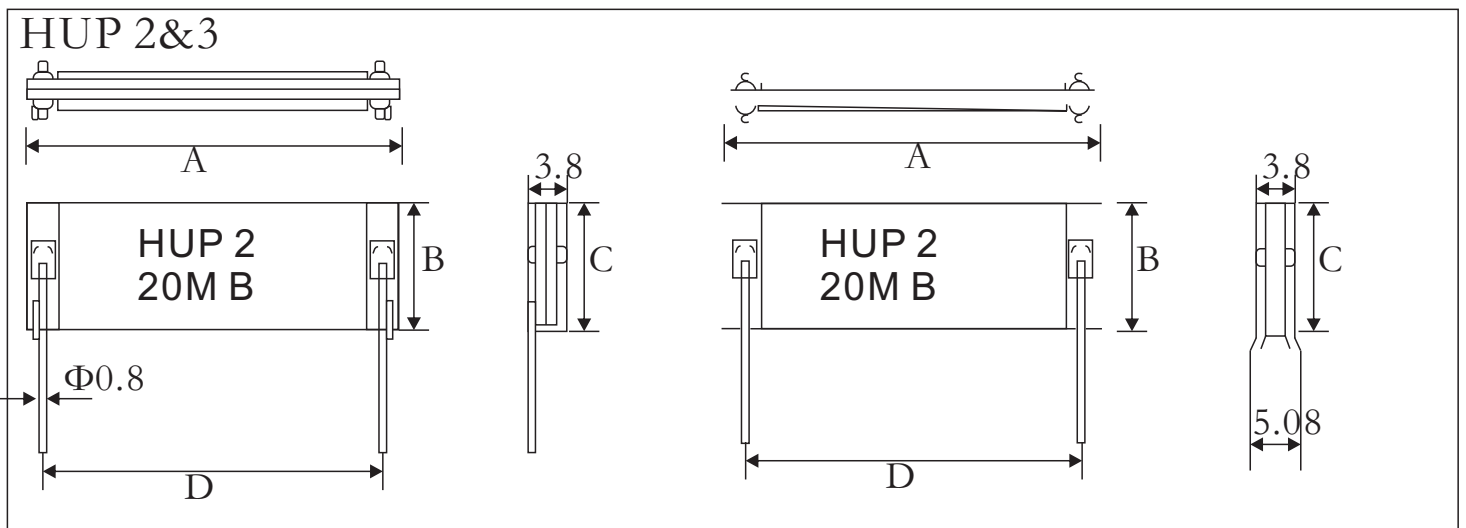
HUP系列电阻特别适用于各种高精度，高压仪器仪表，能完美提高各种模拟电子设备品质，并具有很高的可靠性和耐压性能

HUP series resistors are especially suitable for a variety of high-precision, high-voltage instrumentation, which can perfectly improve the quality of various analog electronic devices, and have high reliability and voltage withstanding ability

## ● 尺寸 Dimensions



型号 Type	功率 Power (W)	尺寸Dimensions(mm)			
		A±0.5	B±0.5	C(max)	D±0.5
HUP2	1/2W	19.0	10.8	11.3	15.24
HUP2D	1/2W	19.0	9.50	10.8	15.24
HUP3	1W	38.0	14.0	14.5	34.30
HUP3D	1W	38.0	12.70	4.0	34.30



## ● 功率、阻值与耐电压 Applications And Ratings

型号 Type	功率范围 Power(W)	阻值范围 Resistance Range( $\Omega$ )	最大工作电压 Max. operating voltage(V)	精度范围 Tolerance range	温度系数 T.C.R
HUP1	1/4W	1K $\Omega$ ~100M $\Omega$	500VDC	B $\pm$ 0.1% W $\pm$ 0.05%	2ppm/ $^{\circ}$ C 5ppm/ $^{\circ}$ C
HUP2	1/2W	100 $\Omega$ ~100M $\Omega$	2500VDC	B $\pm$ 0.1%	
HUP2D	1/2W	100 $\Omega$ ~100M $\Omega$	2500VDC	D $\pm$ 0.02%	
HUP3	1W	100 $\Omega$ ~100M $\Omega$	5000VDC	W $\pm$ 0.05%	
HUP3D	1W	100 $\Omega$ ~100M $\Omega$	5000VDC		

## ● 性能 Performance

TCR measure between:	25 $^{\circ}$ C - 90 $^{\circ}$ C 1ppm/ $^{\circ}$ C on request.
Resistance measure at:	23 $\pm$ 2 $^{\circ}$ C
Load life:	$\Delta$ R $\leq$ 0.05%, rated power. 2000hours
Operating temperature:	-40 $^{\circ}$ C to +125 $^{\circ}$ C
Thermal Shock:	$\Delta$ R $\leq$ 0.01% Mil-sid-202 Method 107
Voltage Coefficient:	VCR < 0.05ppm/V

## ● 料号编号 ordering Information

例 example

HUP	3	B	100M00
产品名称 Product Name	功率 Power	精度 Tol	阻值 Ohm
HUP精密低温 系数高压电阻器	1=1/4W 2=1W 3=2W	B= $\pm$ 0.1% D= $\pm$ 0.02% W= $\pm$ 0.05%	100R00=100 $\Omega$ 100M00=100M $\Omega$