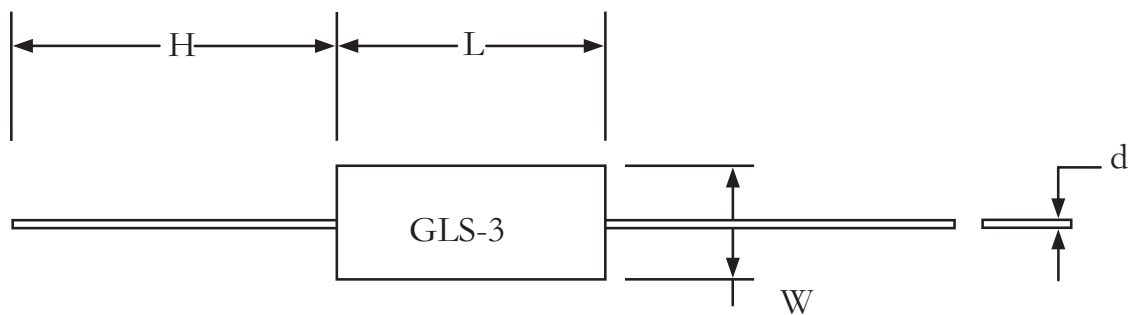


● Features

- I Superior surge performance.
- II Resistance range from 1Ω - 3MΩ.
- III Standard tolerances of ± 1%, ± 2%, ± 5%.
- IV Power rating of 3W at 25°C ; 2W at 70°C

● Dimensions



Dimensions (inches and mm)

Type	L	W	H	ø d
GLS-3	0.54 ± 0.10 (13.8 ± 0.3)	0.21 ± 0.10 (5.3 ± 0.2)	1.30 ± 0.125 (33.0 ± 3.2)	0.032 ± 0.002 (0.8128 ± 0.05)

● Ordering Information

Example:

GLS-3	2	F	50	10R0
(1)	(2)	(3)	(4)	(5)
Series Name	Power Rating	Resistance Tolerance	TCR	Resistance

(1)Type: GLS-3 SERIES

(2)Power Rating: 2.0=2W, 3.0=3W

(3)Tolerance: F= ± 1%,G= ± 2%,J= ± 5%

(4)TCR: ± 50ppm/°C, ± 100ppm/°C, ± 200ppm/°C

(5)Resistance Value:10R0=10R、 R10=0.1Ω、 47R0=47Ω.....

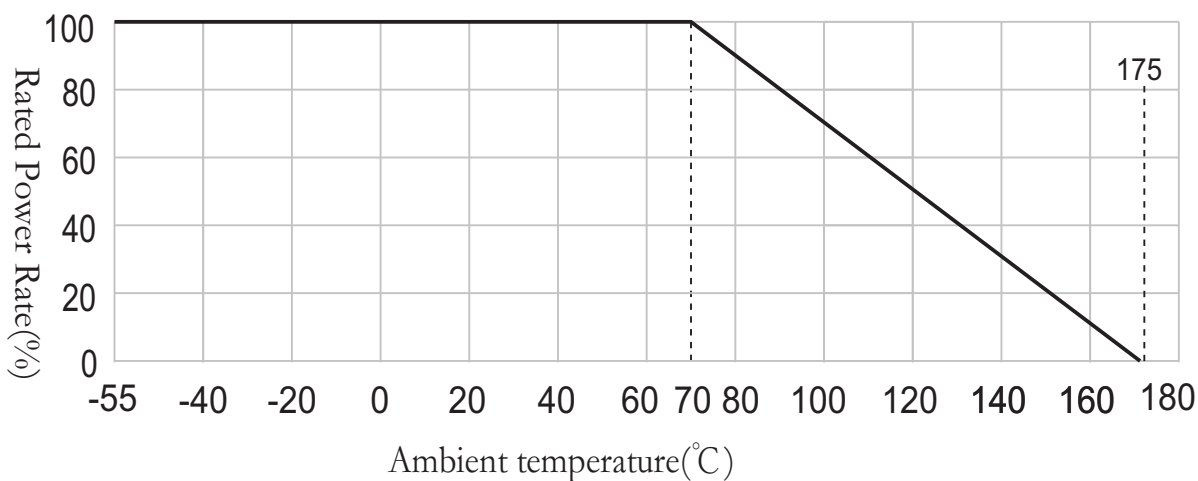
● Reference Standards

MIL-STD-202

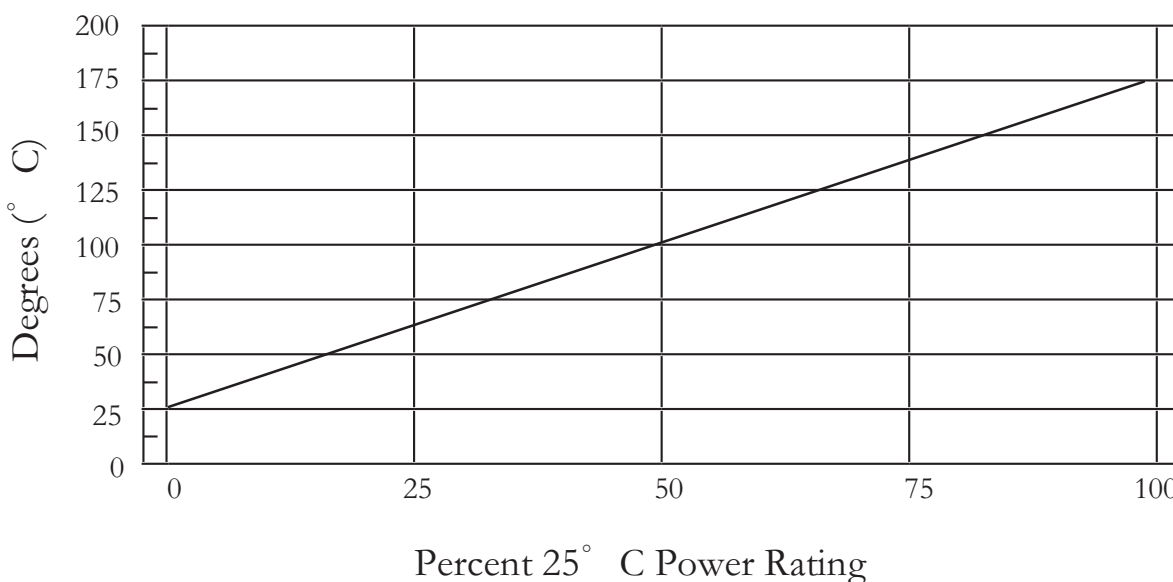
● Applications And Ratings

Type	Rated Power (W)	Maximum Operating Voltage (V)	Dielectric Withstanding Voltage (V)	Resistance Range (Ω)	Tolerance Range	Operating Temperature
GLS-3	2.0	1000	1000	1.0 - 3M	F = $\pm 1\%$ G = $\pm 2\%$ J = $\pm 5\%$	-55~150°C
	3.0					

● Derating Curve



● Hot Spot Temperature +25°C Ambient



● Performance Characteristics

Test		Maximum ΔR Limits			
		MIL-R-26	MIL-R-10509D	MIL-R-22684	GLS-3
TCR	\pm ppm/ $^{\circ}$ C	30	100	200	50(>10 Ω) 100, 200(\leq 10 Ω)
Load life	% ΔR	0.5	1.0	2.0	2.0
Short term overload	% ΔR	0.20	0.50	0.50	0.20
Moisture	% ΔR	0.20	1.50	1.50	0.40
Temperature Cycling	% ΔR	0.20	0.50	-	0.20
Solder Effect	% ΔR	-	0.50	0.50	0.20
Termination Strength	% ΔR	0.10	0.20	0.50	0.10
Shock	% ΔR	0.10	0.50	0.50	0.10
Vibration	% ΔR	0.10	0.50	0.50	0.10
Operating Temperature		-55 $^{\circ}$ C to +175 $^{\circ}$ C			